

Split Tinned Connectors

ST



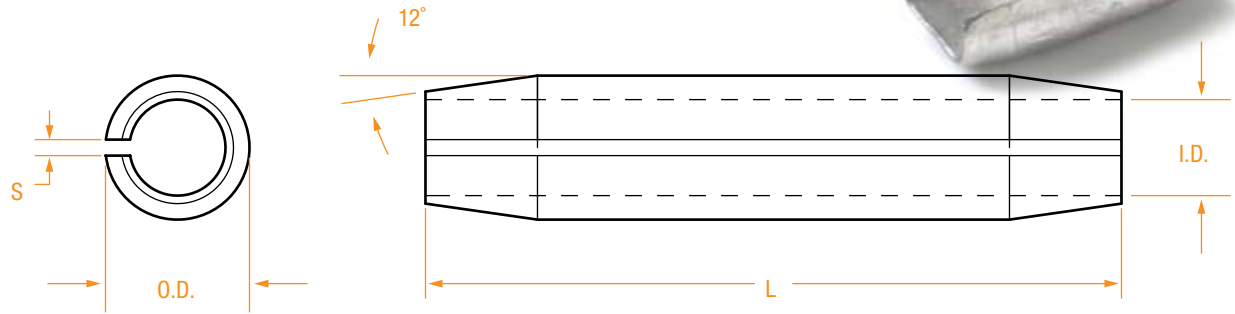
SPLIT TINNED CONNECTORS	SERIES	PAGE
Split Tinned Straight Connectors	RSS	ST1
Split Tinned Concentric Reducing Connectors	CR	ST2
Split Tinned Branch Connectors – Full Duplex	FD	ST3
Split Tinned Branch Connectors – Half Duplex	HD	ST4
Split Tinned Tee Connectors	ST	ST5
Lead Splicing Sleeves	LS	ST6

ST

SPLIT TINNED STRAIGHT CONNECTORS

RSS Series

- Made of pure copper.
- Tin-plated to resist corrosion.
- Fabricated in accordance with EEL specifications.



WIRE SIZE	CATALOG NUMBER*	DIMENSIONS IN INCHES			
		L	S	I.D.	O.D.
#6	RSS3	1.5	0.030	0.189	0.251
#4	RSS5	2.0	0.030	0.237	0.315
#2	RSS7	2.0	0.030	0.297	0.395
#1	RSS8	2.0	0.070	0.337	0.449
1/0	RSS9	2.0	0.070	0.378	0.504
2/0	RSS10	2.0	0.070	0.423	0.565
3/0	RSS11	2.0	0.070	0.475	0.635
4/0	RSS12	2.5	0.070	0.533	0.713
250	RSS13	2.5	0.120	0.581	0.778
300	RSS14	2.5	0.120	0.635	0.849
350	RSS15	2.5	0.120	0.690	0.920
400	RSS16	3.0	0.120	0.740	0.986
450	RSS17	3.0	0.120	0.784	1.046
500	RSS18	3.0	0.120	0.826	1.102
550	RSS19	3.0	0.175	0.868	1.154

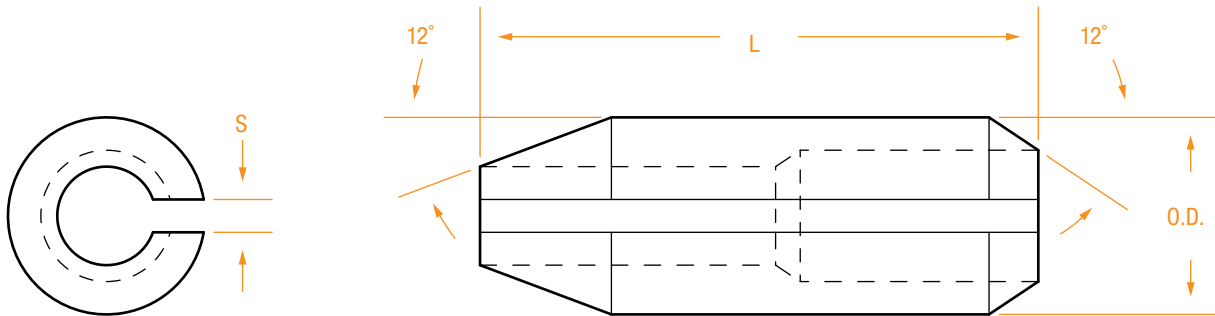
WIRE SIZE	CATALOG NUMBER*	DIMENSIONS IN INCHES			
		L	S	I.D.	O.D.
600	RSS20	3.5	0.175	0.906	1.206
650	RSS21	3.5	0.175	0.948	1.260
700	RSS22	3.5	0.175	0.983	1.307
750	RSS23	3.5	0.175	1.018	1.356
800	RSS24	4.0	0.175	1.050	1.400
850	RSS25	4.0	0.220	1.083	1.441
900	RSS26	4.0	0.220	1.115	1.483
950	RSS27	4.0	0.220	1.145	1.525
1,000	RSS28	4.5	0.220	1.175	1.565
1,250	RSS29	4.5	0.220	1.320	1.754
1,500	RSS30	5.0	0.280	1.440	1.912
1,750	RSS31	5.5	0.280	1.560	2.074
2,000	RSS32	6.0	0.280	1.664	2.214
2,500	RSS33	6.5	0.280	1.885	2.455

* For "weak back" connectors, add "-WB" to the catalog number.

SPLIT TINNED CONCENTRIC REDUCING CONNECTORS

CR Series

- Made of pure copper.
- Tin-plated to resist corrosion.
- Fabricated in accordance with EEL specifications.
- The larger wire size dictates the price of the connector.
- When ordering, specify a second wire size after the catalog number shown below.
- 12° taper.



LARGE WIRE SIZE	CATALOG NUMBER*	DIMENSIONS IN INCHES		
		L	S	O.D.
#6	CR3	1.5	0.030	0.251
#5	CR4	1.5	0.030	0.295
#4	CR5	2.0	0.030	0.315
#3	CR6	2.0	0.030	0.353
#2	CR7	2.0	0.030	0.395
#1	CR8	2.0	0.070	0.449
1/0	CR9	2.0	0.070	0.504
2/0	CR10	2.0	0.070	0.565
3/0	CR11	2.0	0.070	0.635
4/0	CR12	2.5	0.070	0.713
250	CR13	2.5	0.120	0.778
300	CR14	2.5	0.120	0.849
350	CR15	2.5	0.120	0.920
400	CR16	3.0	0.120	0.986
450	CR17	3.0	0.120	1.046

LARGE WIRE SIZE	CATALOG NUMBER*	DIMENSIONS IN INCHES		
		L	S	O.D.
500	CR18	3.0	0.120	1.102
550	CR19	3.0	0.175	1.154
600	CR20	3.5	0.175	1.206
650	CR21	3.5	0.175	1.260
700	CR22	3.5	0.175	1.307
750	CR23	3.5	0.175	1.356
800	CR24	4.0	0.175	1.400
900	CR26	4.0	0.220	1.483
1,000	CR28	4.5	0.220	1.565
1,250	CR29	4.5	0.220	1.754
1,500	CR30	5.0	0.280	1.912
1,750	CR31	5.5	0.280	2.074
2,000	CR32	6.0	0.280	2.214
2,500	CR33	6.5	0.280	2.455

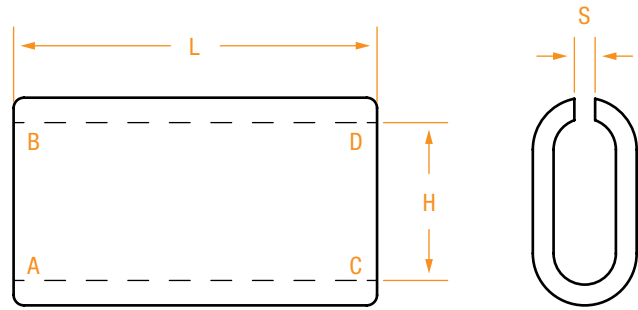
* Add second wire size to the catalog number when ordering (example: CR23-18 is a concentric reducer for 750 to 500 mcm copper cables).

FOR OTHER SIZES, CONTACT YOUR SALES REPRESENTATIVE OR THE FACTORY.

SPLIT TINNED BRANCH CONNECTORS – FULL DUPLEX

FD Series

- Available in any combination of wire sizes.
- Made of pure copper.
- Tin-plated to resist corrosion.
- Fabricated in accordance with EEl specifications.
- Price is governed by the largest wire size.
- When ordering, specify sizes as A & B to C & D.



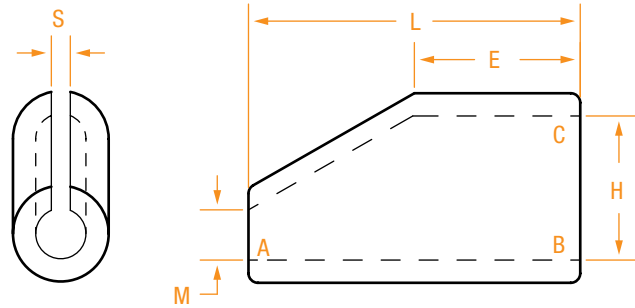
WIRE SIZE	CATALOG NUMBER	DIMENSIONS IN INCHES		
		L	H	S
#6	FD3	1.5	0.378	0.050
#4	FD5	2.0	0.474	0.070
#3	FD6	2.0	0.530	0.070
#2	FD7	2.0	0.594	0.070
#1	FD8	2.0	0.647	0.070
1/0	FD9	2.0	0.756	0.070
2/0	FD10	2.0	0.846	0.070
3/0	FD11	2.0	0.950	0.070
4/0	FD12	2.5	1.066	0.120
250	FD13	2.5	1.162	0.120
300	FD14	2.5	1.270	0.120
350	FD15	2.5	1.380	0.120
400	FD16	3.0	1.480	0.175
450	FD17	3.0	1.560	0.175
500	FD18	3.0	1.652	0.175
550	FD19	3.0	1.736	0.175
600	FD20	3.5	1.812	0.175
650	FD21	3.5	1.896	0.175

FOR OTHER SIZES, CONTACT YOUR SALES REPRESENTATIVE OR THE FACTORY.

SPLIT TINNED BRANCH CONNECTORS – HALF DUPLEX

HD Series

- Available in any combination of wire sizes.
- Made of pure copper.
- Tin-plated to resist corrosion.
- Fabricated in accordance with EEL specifications.
- Price is governed by the largest wire size.
- When ordering, specify sizes as A & B to C & D.



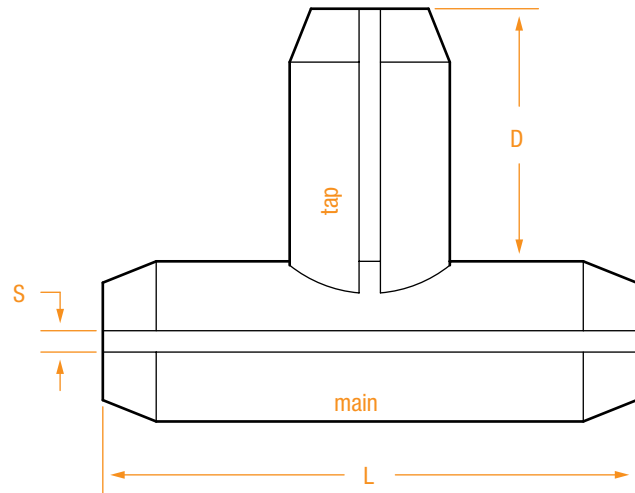
WIRE SIZE	CATALOG NUMBER	DIMENSIONS IN INCHES				
		M	H	E	L	S
#6	HD3	0.189	0.378	0.75	1.5	0.050
#4	HD5	0.237	0.474	1.00	2.0	0.070
#3	HD6	0.265	0.530	1.00	2.0	0.070
#2	HD7	0.297	0.594	1.00	2.0	0.070
#1	HD8	0.337	0.674	1.00	2.0	0.070
1/0	HD9	0.378	0.756	1.00	2.0	0.070
2/0	HD10	0.423	0.846	1.00	2.0	0.070
3/0	HD11	0.475	0.950	1.00	2.0	0.070
4/0	HD12	0.533	1.066	1.25	2.5	0.120
250	HD13	0.581	1.162	1.25	2.5	0.120
300	HD14	0.635	1.270	1.25	2.5	0.120
350	HD15	0.690	1.380	1.25	2.5	0.120
400	HD16	0.740	1.480	1.50	3.0	0.175
450	HD17	0.784	1.568	1.50	3.0	0.175
500	HD18	0.826	1.652	1.50	3.0	0.175
550	HD19	0.868	1.736	1.50	3.0	0.175
600	HD20	0.906	1.812	1.75	3.5	0.175
650	HD21	0.948	1.896	1.75	3.5	0.175
750	HD23	1.018	2.036	1.75	3.5	0.220
800	HD24	1.052	2.104	2.00	4.0	0.220
850	HD25	1.083	2.166	2.00	4.0	0.220
1000	HD28	1.2	2.32	2.35	4.5	0.150
2000	HD32	1.7	3.4	3.2	6.0	0.260

FOR OTHER SIZES, CONTACT YOUR SALES REPRESENTATIVE OR THE FACTORY.

SPLIT TINNED TEE CONNECTORS

ST Series

- Available in any combination of wire sizes.
- Made of pure copper.
- Tin-plated to resist corrosion.
- Silver solder is used as a brazing material for mechanical strength and conductivity.
- The larger wire size dictates the price of the connector.
- When ordering, specify a “tap” wire size after the catalog number shown below.
- Fabricated in accordance with EEI specifications.



WIRE (MAIN)	CATALOG NUMBER	DIMENSIONS IN INCHES		
		L	D	S
#10	ST1	1.5	3/4	0.030
#8	ST2	1.5	3/4	0.030
#6	ST3	1.5	3/4	0.030
#4	ST5	2.0	1	0.030
#3	ST6	2.0	1	0.030
#2	ST7	2.0	1	0.030
#1	ST8	2.0	1	0.070
1/0	ST9	2.0	1	0.070
2/0	ST10	2.0	1	0.070
3/0	ST11	2.0	1	0.070
4/0	ST12	2.5	1-1/4	0.070
250	ST13	2.5	1-1/4	0.120
300	ST14	2.5	1-1/4	0.120
350	ST15	2.5	1-1/4	0.120
400	ST16	3.0	1-1/2	0.120

WIRE (MAIN)	CATALOG NUMBER	DIMENSIONS IN INCHES		
		L	D	S
450	ST17	3.0	1-1/2	0.120
500	ST18	3.0	1-1/2	0.120
550	ST19	3.0	1-1/2	0.175
600	ST20	3.5	1-3/4	0.175
650	ST21	3.5	1-3/4	0.175
700	ST22	3.5	1-3/4	0.175
750	ST23	3.5	1-3/4	0.175
800	ST24	4.0	2	0.175
900	ST26	4.0	2	0.220
1,000	ST28	4.5	2-1/4	0.220
1,250	ST29	4.5	2-1/4	0.220
1,500	ST30	5.0	2-1/2	0.280
1,750	ST31	5.5	2-3/4	0.280
2,000	ST32	6.0	3	0.280
2,500	ST33	6.5	3-1/4	0.280

FOR OTHER SIZES, CONTACT YOUR SALES REPRESENTATIVE OR THE FACTORY.

LEAD SPLICING SLEEVES

LS Series

- Used in conjunction with split tinned connectors when splicing PILC cable.
- Bridges lead neutral.
- When ordering, specify length (L), inside diameter (ID) and thickness (T)

INSIDE DIAMETER (ID)	THICKNESS (T)
2.00"	.125"
2.50"	.125"
2.50"	.150"
3.00"	.125"
3.50"	.150"
4.00"	.200"
4.50"	.200"
6.00"	.200"

FOR OTHER SIZES, CONTACT YOUR SALES REPRESENTATIVE OR THE FACTORY.

ST6